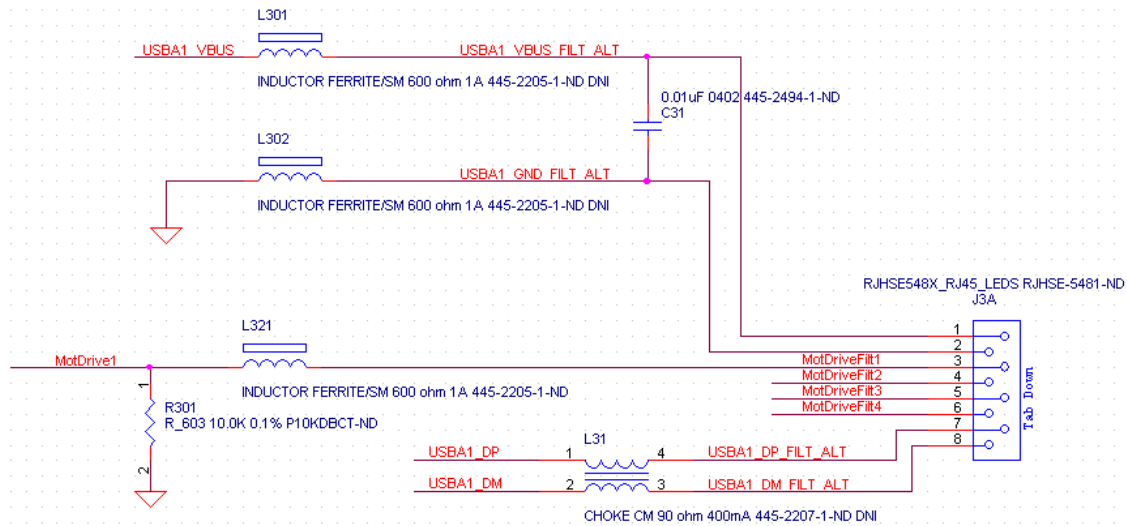


## RP Metrix MC2 Motor Controller - Basic operating instructions.

### 1. Motor Connections



A schematic of the 'Motor' RJ45 connector appears here. A full explanation of this connector will be published at a later date.

Third party users need only make some simple connections to control the motor.

Attach a delta connected 3 terminal motor such as those used in an RP Metrix headstage to pins 3, 4, and 5 of the RJ45. Note that pin 2 has continuity to ground, and that each motor drive connection has a 10 Kohm resistance to ground.

The motor 'insert' and 'extract' directions are determined by which order the motor wires are connected to the Motor connector. Swap two wires if the motion direction is the reverse of the intended polarity.

Built into the Motor connector are a green LED (indicating forward motion) and a red LED (for backward motion).

### 2. Mouse operation

Plug a standard USB mouse into the 'USP Port' of an MC2+ and this device can be used to start and stop the motor. Click the left mouse button.

### 3. Software installation

If you use the PC software, you will be asked to install a USB driver when you first plug in the MC2. This will be found in the RP Metrix folder on the CD.

The only other file you should need will be the MC2Player.exe application program, which is a bare bones program to operate the motor via the USB connection.

The CD also contains an application program to load firmware upgrades (LoadBoard.exe) and a backup copy of the firmware (\*.iic). You should not need this for now.

Happy motoring!